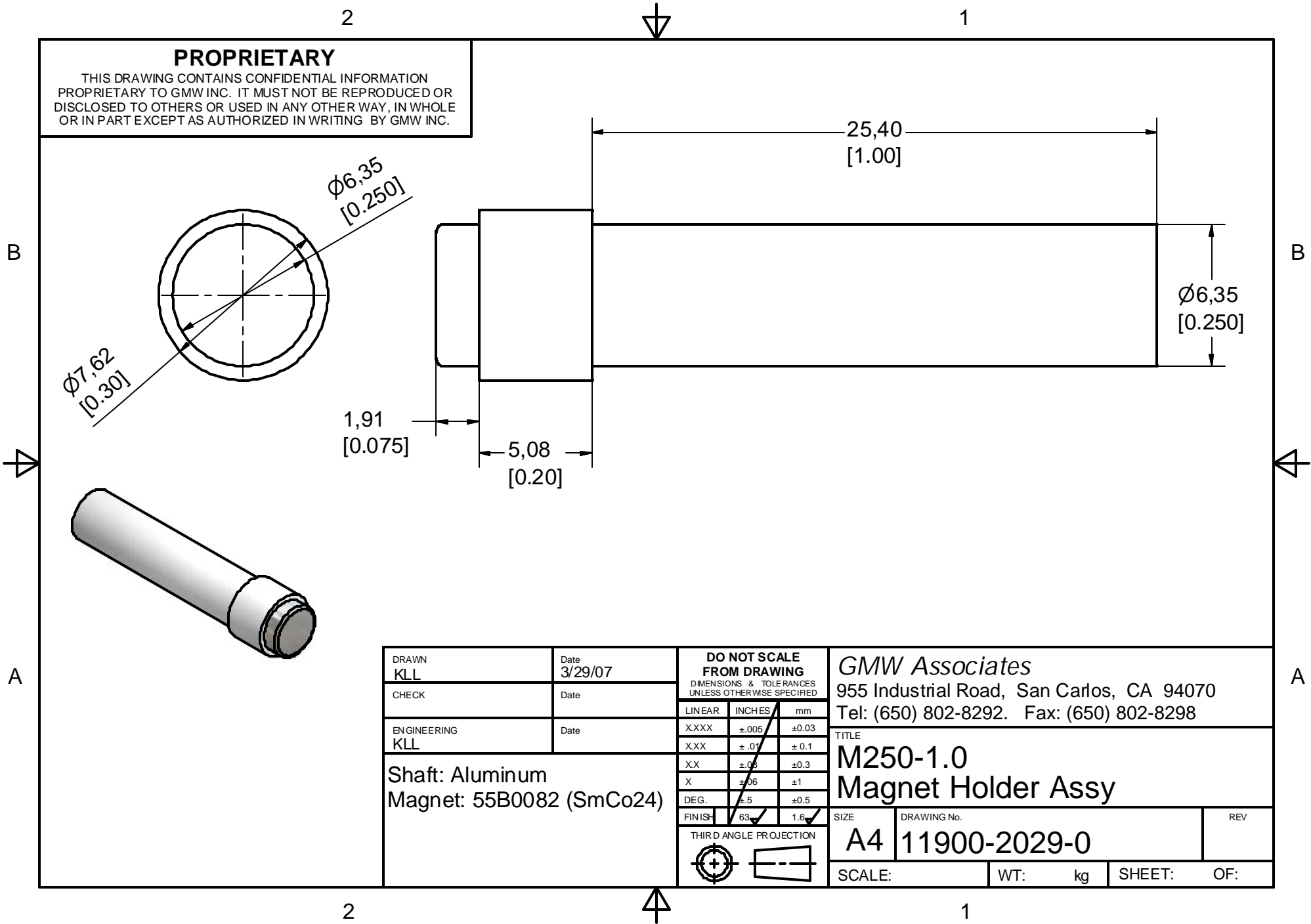


**PROPRIETARY**

THIS DRAWING CONTAINS CONFIDENTIAL INFORMATION PROPRIETARY TO GMW INC. IT MUST NOT BE REPRODUCED OR DISCLOSED TO OTHERS OR USED IN ANY OTHER WAY, IN WHOLE OR IN PART EXCEPT AS AUTHORIZED IN WRITING BY GMW INC.



DRAWN KLL	Date 3/29/07	<b>DO NOT SCALE FROM DRAWING</b> <small>DIMENSIONS &amp; TOLERANCES UNLESS OTHERWISE SPECIFIED</small>	<i>GMW Associates</i> 955 Industrial Road, San Carlos, CA 94070 Tel: (650) 802-8292. Fax: (650) 802-8298		
CHECK	Date		LINEAR	INCHES	mm
ENGINEERING KLL	Date		X.XXX	±.005	±0.03
Shaft: Aluminum Magnet: 55B0082 (SmCo24)			X.XX	±.01	±0.1
		X.X	±.03	±0.3	
		X	±.06	±1	
		DEG.	±.5	±0.5	
		FINISH	63	1.6	
		THIRD ANGLE PROJECTION		SIZE: A4 DRAWING No.: 11900-2029-0 SCALE: _____ WT: _____ kg SHEET: _____ OF: _____	
				TITLE: M250-1.0 Magnet Holder Assy REV: _____	