

HQ-0222

Shipped in packet-tape reel(4,000pcs per reel)

Notice : It is requested to read and accept "IMPORTANT NOTICE" written on the back of the front cover of this catalogue.

●Absolute Maximum Ratings

Item	Symbol	Limit	Unit
Max. Input Voltage	V_C	6	V
Max. Input Current	I_C	17	mA
Operating Temp. Range	Topr.	-40 ~ +125	°C
Storage Temp. Range	Tstg.	-40 ~ +150	°C

※1:パッケージ内の各個の素子毎の値です。

●Electrical Characteristics($T_a=25^\circ\text{C}$)

Item	Symbol	Conditions	Min.	Typ.	Max.	Unit
Output Hall Voltage	$V_{H(i)}$ ^{※2}	B=50mT, $V_C=3\text{V}$	90		130	mV
Relative Output Voltage Ratio	V_{Hr} ^{※3}	B=50mT, $V_C=3\text{V}$	95		105	%
Input Resistance	R_{in}	B=0mT, $I_C=0.1\text{mA}$	370		570	Ω
Output Resistance	$R_{out(i)}$	B=0mT, $I_C=0.1\text{mA}$	750		1150	Ω
Relative Resistance Ratio	R_{outr} ^{※4}	B=0mT, $I_C=0.1\text{mA}$	95		105	%
Offset Voltage	$V_{OS}(V_U)$	B=0mT, $V_C=3\text{V}$	-6		+6	mV
Temp. Coefficient of V_H	αV_H ^{※5}	B=50mT, $V_C=3\text{V}$ $T_a=25\sim 125^\circ\text{C}$		-0.2		%/°C
Temp. Coefficient of R_{in}	αR ^{※6}	B=0mT, $I_C=0.1\text{mA}$ $T_a=25\sim 125^\circ\text{C}$		-0.2		%/°C

※2. $V_H = V_{HM} - V_{OS}(V_U)$ (V_{HM} :meter indication)

※3. $V_{H(i)}$ ($i=1,2$) is Hall output voltage of 2-Hall Elements of one package.

$$V_{Hr \min} = \min(V_{H(i)})/V_{Havg} \times 100, V_{Hr \max} = \max(V_{H(i)})/V_{Havg} \times 100$$

$$\text{Where } V_{Havg} = (V_{H(1)} + V_{H(2)})/2$$

※4. $R_{out(i)}$ ($i=1,2$) is output resistance of 2-Hall Elements of one package.

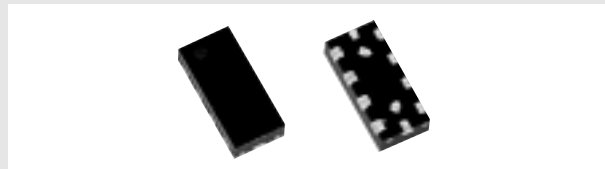
$$R_{outr \min} = \min(R_{out(i)})/R_{out \text{ avg}} \times 100, R_{outr \ max} = \max(R_{out(i)})/R_{out \text{ avg}} \times 100$$

$$R_{out \text{ avg}} = (R_{out(1)} + R_{out(2)})/2$$

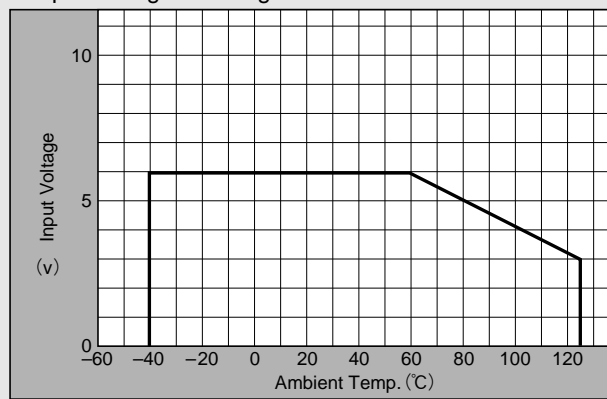
$$\text{※5. } \alpha V_H = \frac{1}{V_H(T_1)} \times \frac{V_H(T_2) - V_H(T_1)}{(T_2 - T_1)} \times 100$$

$$\text{※6. } \alpha R = \frac{1}{R(T_1)} \times \frac{R(T_2) - R(T_1)}{(T_2 - T_1)} \times 100$$

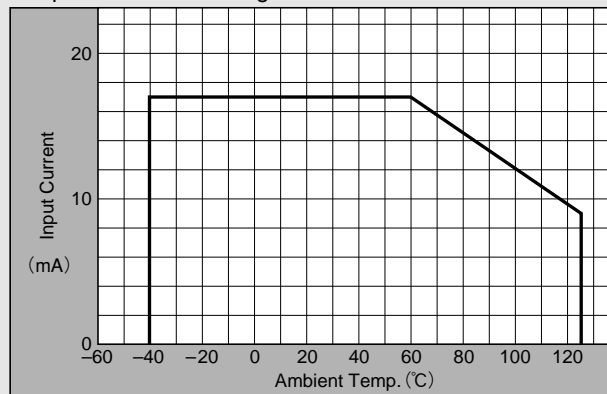
$$T_1 = 25^\circ\text{C}, T_2 = 125^\circ\text{C}$$



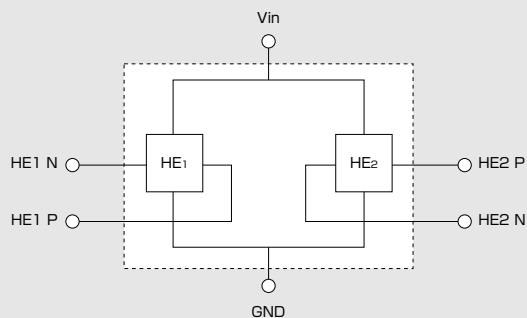
●Input Voltage Derating Curve



●Input Current Derating Curve



●Pinning



IMPORTANT NOTICE

- These products and their specifications are subject to change without notice. When you consider any use or application of these products, please make inquiries the sales office of Asahi Kasei EMD Corporation (AKEMD) or authorized distributors as to current status of the products.
- AKEMD assumes no liability for infringement of any patent, intellectual property, or other rights in the application or use of any information contained herein.
- Any export of these products, or devices or systems containing them, may require an export license or other official approval under the law and regulations of the country of export pertaining to customs and tariffs, currency exchange, or strategic materials.
- AKEMD products are neither intended nor authorized for use as critical components^{Note1)} in any safety, life support, or other hazard related device or system^{Note2)}, and AKEMD assumes no responsibility for such use, except for the use approved with the express written consent by AKEMD. As used here:
 - Note1) A critical component is one whose failure to function or perform may reasonably be expected to result, whether directly or indirectly, in the loss of the safety or effectiveness of the device or system containing it, and which must therefore meet very high standards of performance and reliability.
 - Note2) A hazard related device or system is one designed or intended for life support or maintenance of safety or for applications in medicine, aerospace, nuclear energy, or other fields, in which its failure to function or perform may reasonably be expected to result in loss of life or in significant injury or damage to person or property.
- It is the responsibility of the buyer or distributor of AKEMD products, who distributes, disposes of, or otherwise places the product with a third party, to notify such third party in advance of the above content and conditions, and the buyer or distributor agrees to assume any and all responsibility and liability for and hold AKEMD harmless from any and all claims arising from the use of said product in the absence of such notification.

ASAHI KASEI EMD CORPORATION

Headquarters

1-23-7 Nishi-Shinjyuku, Shinjyuku-ku, Tokyo 160-0023, Japan
TEL : +81-3-6911-2800 FAX : +81-3-6911-2815

Osaka Office

1-2-6 Dojimahama Kita-ku, Osaka 530-8205, Japan
TEL. +81-6-6347-3133 FAX. +81-3-6911-2815

Europe Office

Market House, 19/21 Market Place, Wokingham, Berkshire, RG40 1AP, U.K.
TEL : +44-118-979-5777 FAX : +44-118-979-7885

Shanghai Office

Room 2321, Shanghai Central Plaza, 381 Huaihai Zhong Road, Shanghai 200020, China
TEL. +86-21-6391-6111 FAX. +86-21-6391-6686

Seoul Office

8th fl., KTP B/D, 27-2 Yoido-dong, Youngdungpo-gu, Seoul 150-742, Korea
TEL. +82-2-3775-0990 FAX. +82-2-3775-1991

AKM Semiconductor, Inc

Western US Sales

1731 Technology Dr Suite 500 San Jose, CA 95110, USA
TEL. +1-408-436-8580 FAX. +1-408-436-7591

Eastern US Sales

629 Bamford Road Cherry Hill, NJ 08003, USA
TEL. +1-856-424-7211 FAX. +1-856-424-7344

URL

<http://www.akemd.com>

North American Distributor: GMW Associates

955 Industrial Rd, San Carlos, CA 94070, USA
TEL. +1-650-802-8292 FAX. +1-650-802-8298
EMAIL sales@gmw.com WEB www.gmw.com