



AN_170KIT, AKM CQ-2092 Current Sensor Engineering Evaluation Kit

General Description

The AN_170KIT engineering development kit provides an easy method of evaluating the AKM CQ-2092 linear Hall current sensor. The AN_170KIT demonstrates the AKM CQ-2092 sensor and has a current range of +/-20A. The CQ-2092 current sensor incorporates the AKM EQ-950L factory programmed Linear Hall IC and a custom ferrite core. The kit includes a 5V regulator for the CQ-2092 and will operate with an input Vcc voltage of 5V to 24Vdc

References:

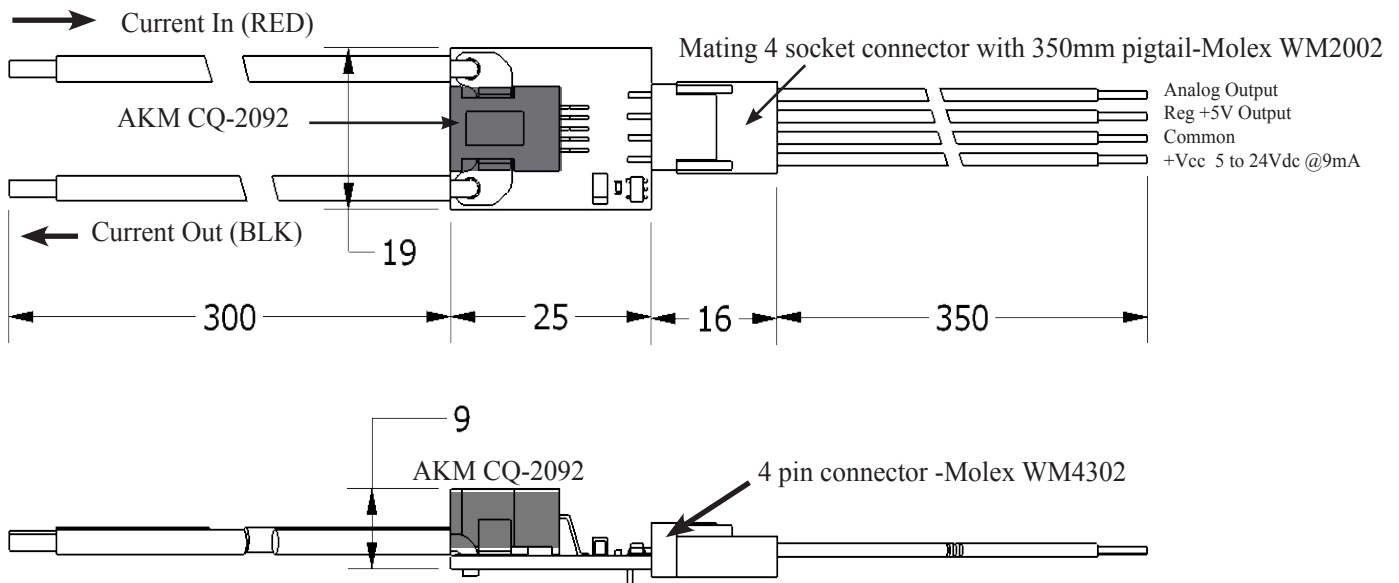
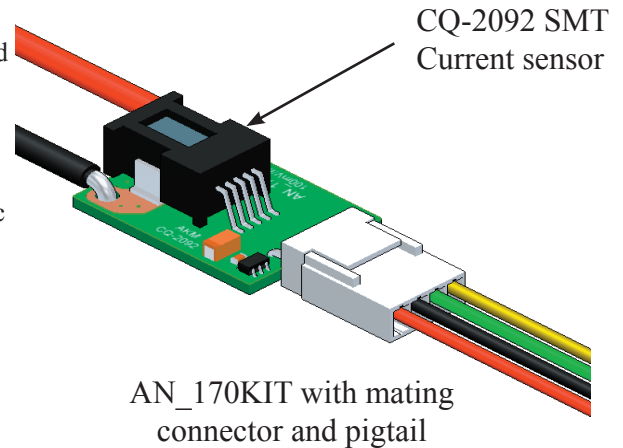
AKM Sensor Specification: CQ-2092 Linear Current Sensor

KIT Part Number

AN_170KIT

Features

- Small-sized open loop current transducer using a factory programmed Linear Hall Effect IC
- Primary Current range: +/-24Apeak and 20Arms
- Sensitivity range: 100+/- 2mV/A (+/-2%)
- Galvanic isolation between the primary conductor and the Hall Effect IC: >2.5kV
- Analog output voltage range: 2.5V +/- 2.4V
- Offset voltage: 2.50V +/- 110mV
- Kit supply voltage range: 5V to 24Vdc
- Supply current: Typ. <9mA
- Large BW: dc to 400kHz (-3db)
- Fast response: Typ. 1µs delay
- Ratiometric analog output
- Operating temperature range:-40 to +90 °C
- Very low output noise: <2.1mVrms (equivalent to <21mArms)



AN_170KIT Outline Drawing (all dimensions in mm)

Revision Date: May 29th, 2012

Schematic, AN_170KIT

