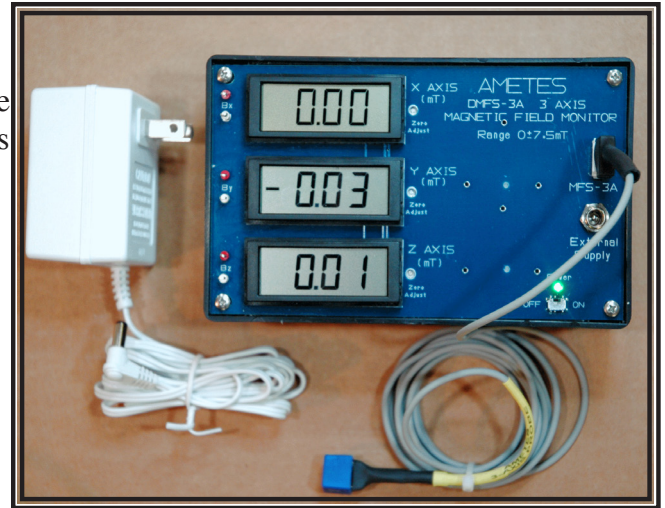


### General Description.

The DMFS-3A 3-Axis Magnetic Field Monitor is a self contained instrument used to demonstrate the capability of the Ametes MFS-3A 3-Axis Magnetic Field Sensor. It also serves as a three-axis magnetic field monitor . It is powered by two 9V batteries and includes three panel meters, one for each of the 3 axes; Bx, By Bz. There are three sets of external test connections for remote instrument connections. The integral panel meters are scaled to display in mT. The output terminals provide voltages scaled to 100mV/mT.



**DMFS-3A 3-Axis Magnetic Field Monitor**

Below is the output curve for the Ametes MFS-3A sensor. Note the transfer curve sensitivity for the sensor is 280mV/ mT for each channel. The Monitor output is 100mV/mT. The MFS-3A Sensor is connected to a 2m flexible cable with a 5 pin connector that plugs into the monitor .

**Offset Adjustment:** The monitor is factory adjusted to null out any offset in the MFS-3A Probe when exposed to a zero Gauss fields ( Bx, By and Bz = 0).

**Maintenance:** To change the batteries, remove the four screws from the front panel (The batteries are located on the back of the PCB. Replace with 9V (EN22, 6LR61 format) batteries.

### Features

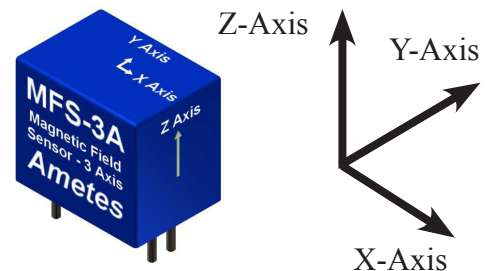
- Magnetic Field Range:  $0 \pm 7.5\text{mT}$
- Accuracy:  $\pm 3\%$
- Three channels for X, Y and Z axis
- Three DVM panel meters scaled to mT
- 3-Axis magnetic field sensor probe using the Ametes MFS-3A sensor and an integral 2m flexible cable
- Zero field offset adjustment for each channel
- Battery operated with optional external AC power adapter ( included)

### Included

- 1) 1 ea. DMFS-3A 3-Axis Magnetic Field Monitor
- 2) 1 ea. MFS-3A Probe with integral cable and connectors
- 3) 2 ea. 9V batteries (installed)
- 4) 1 ea. 6 VDC 800 MA WALL TRANSFORMER

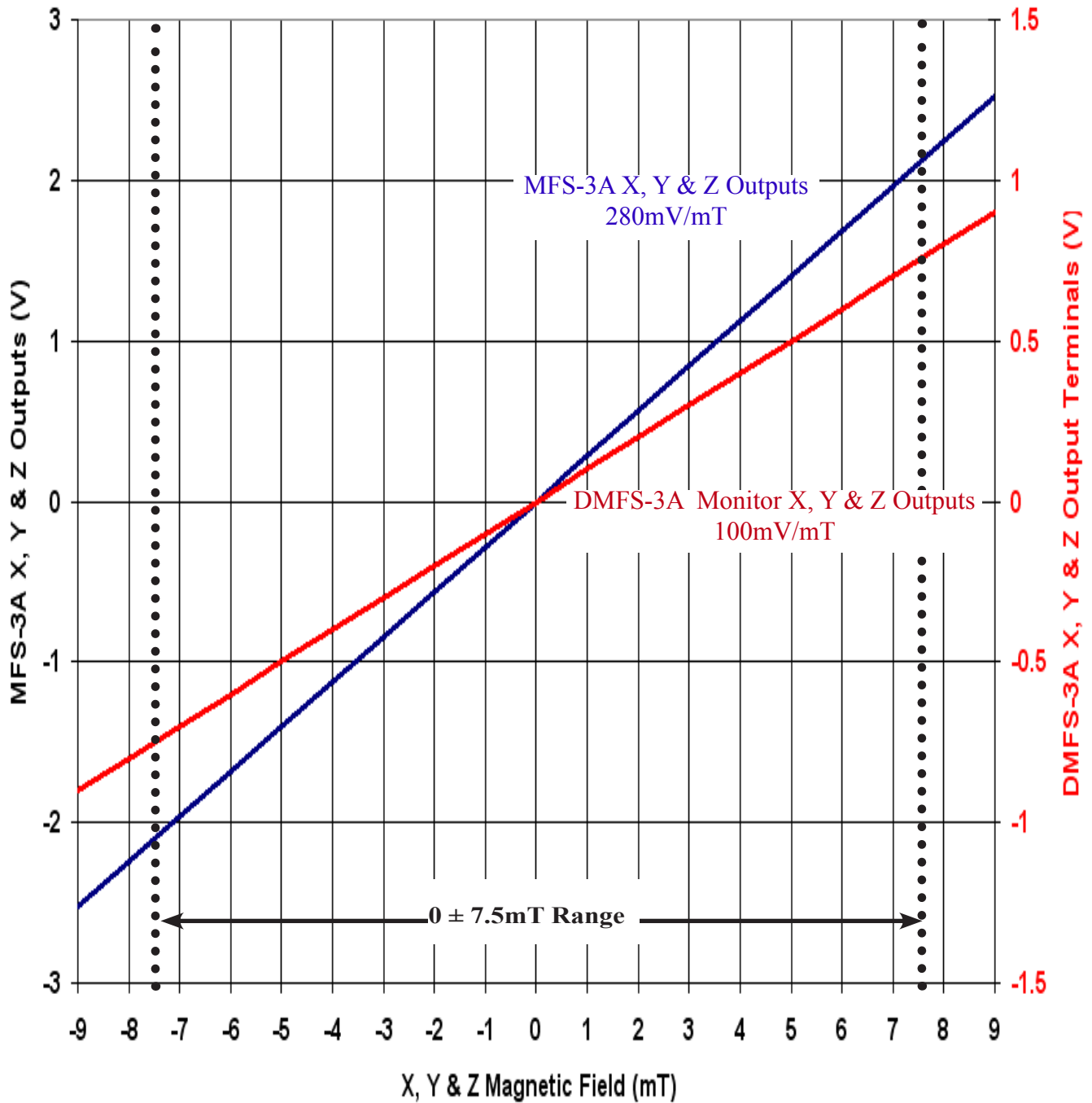
### Optional parts

- 1) ZG12 - Zero Gauss Chamber
- 2) MFS-3A Probe with integral cable and connectors



MFS-3A 3-Axis Magnetic Field Sensor and magnetic field sensitivity orientation

### DMFS-3A 3-Axis Magnetic Field Monitor and MFS-3A output curves

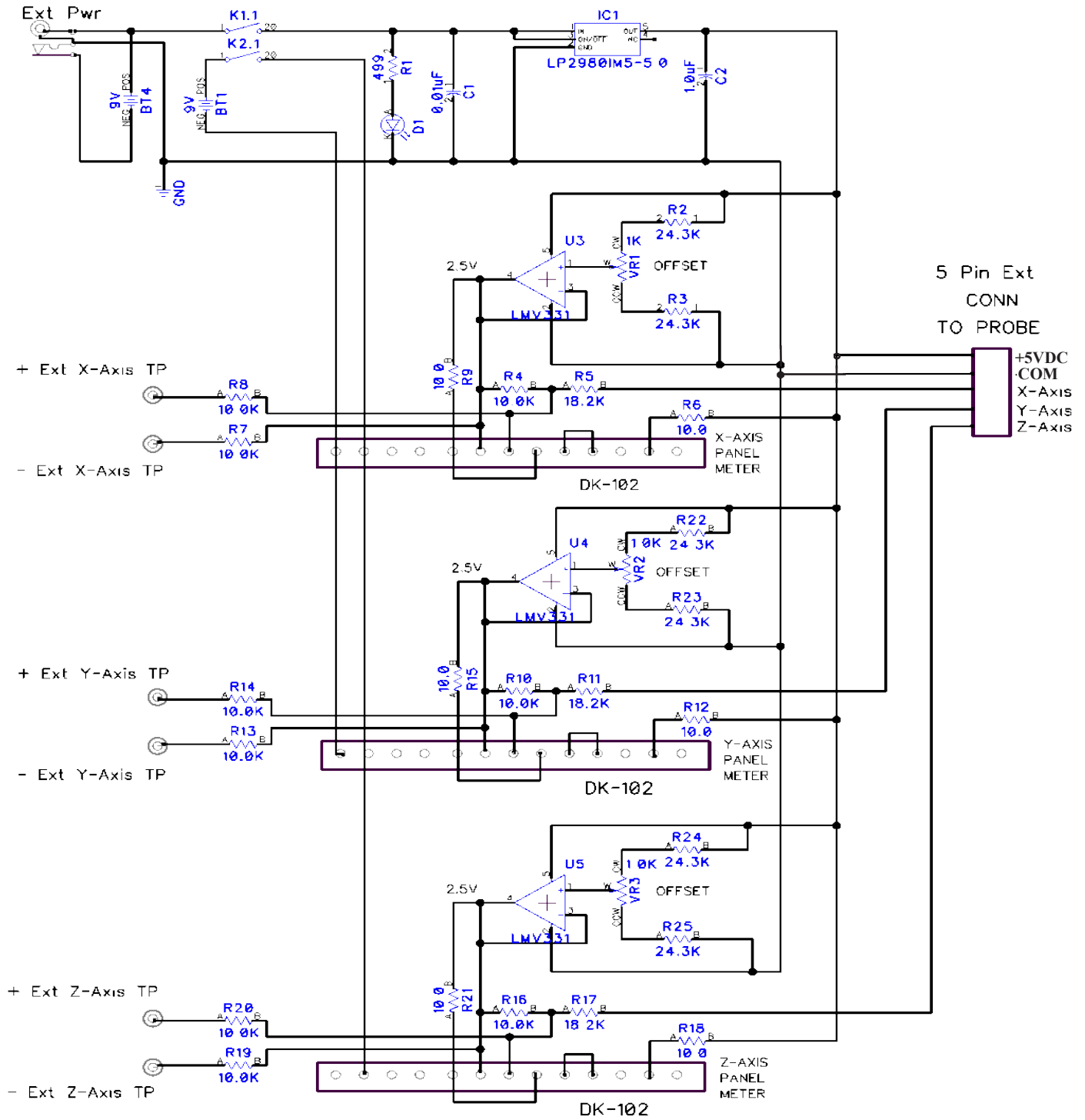


Revision Date: FEB 22, 2011

European Distributor: Senis GmbH; Technoparkstrasse 1, 8005 Zurich, Switzerland; www.senis.ch; tel +41 44 5087029

Americas Distributor: GMW Associates; 955 Industrial Road, San Carlos, CA 94070, USA. www.gmw.com. +1 (650) 802-8292

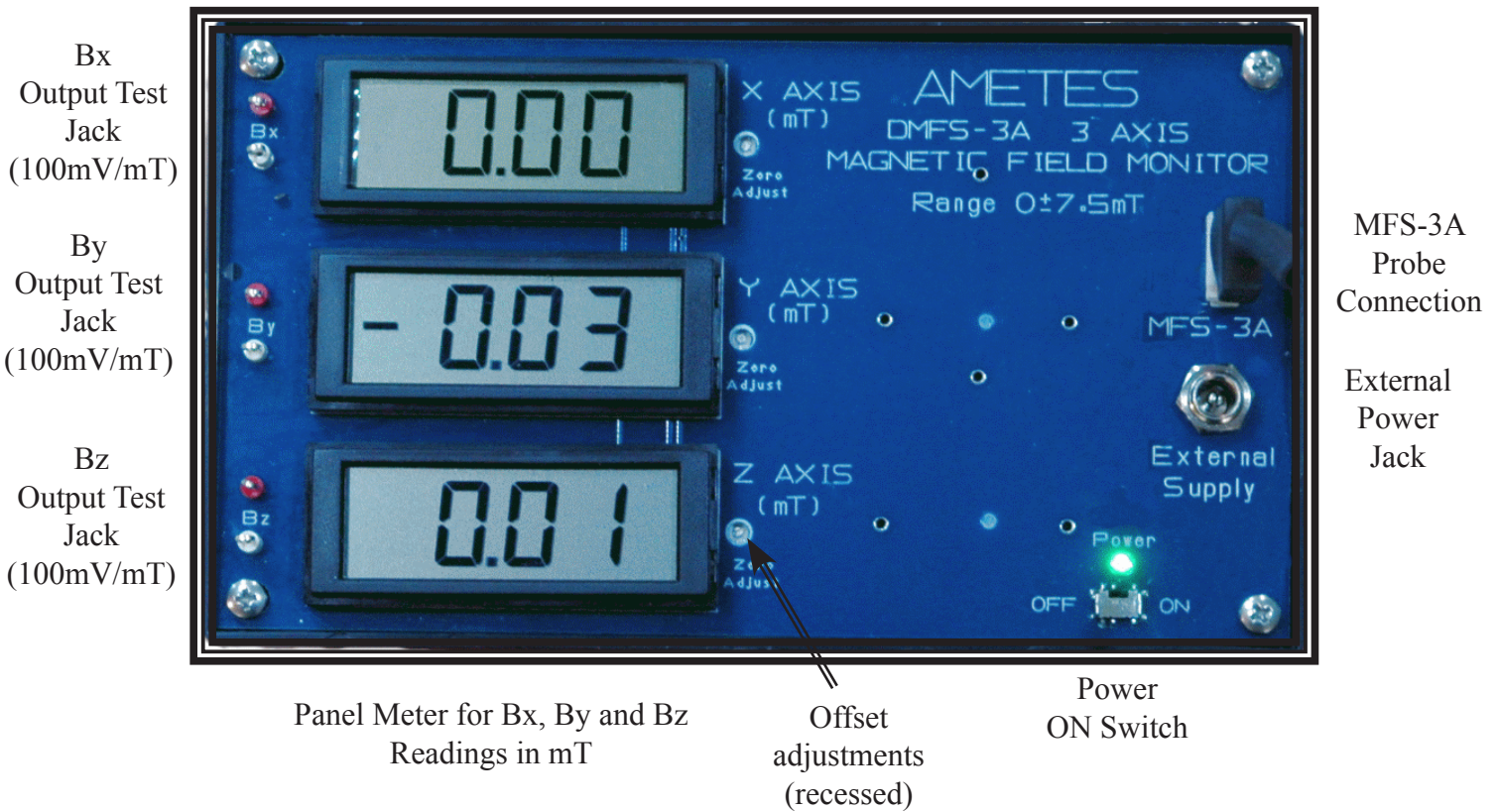
### DMFS-3A 3-AXIS Magnetic Field Monitor Schematic



Revision Date: FEB 22, 2011

European Distributor: Senis GmbH; Technoparkstrasse 1, 8005 Zurich, Switzerland; www.senis.ch; tel +41 44 5087029

Americas Distributor: GMW Associates; 955 Industrial Road, San Carlos, CA 94070, USA. www.gmw.com. +1 (650) 802-8292



### Front Panel Layout