

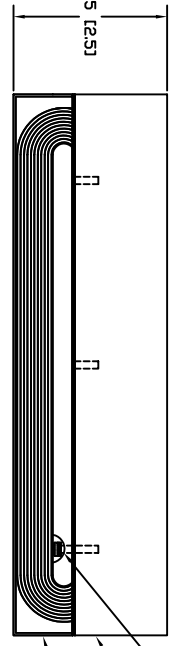
PROPRIETARY
 THIS DRAWING CONTAINS CONFIDENTIAL, UNPUBLISHED INFORMATION.
 THE INFORMATION IS TO BE KEPT IN CONFIDENTIALITY AND IS NOT TO BE
 REPRODUCED OR TRANSMITTED IN ANY FORM OR BY ANY MEANS, ELECTRONIC
 OR MECHANICAL, INCLUDING PHOTOCOPYING, RECORDING, OR BY ANY INFORMATION
 STORAGE AND RETRIEVAL SYSTEM, WITHOUT THE WRITTEN PERMISSION OF
 GMW, INC. (G000000000)

REV	DESCRIPTION	DATE	APPROVED
A	RELEASE	12/01/01	G000000000

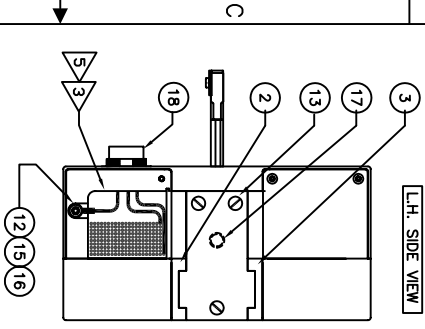
MAGNET SPECIFICATIONS

POLE GAP: 25 mm
 POLE LENGTH: 220 mm
 FIELD: (approx 2.7A) 50 mT (500 gauss)
 UNIFORMITY: ± 2.5% or 0.5mT OVER ROI
 ACCURACY: ± 3.0% or 0.6mT OVER ROI
 RESPONSE: 10 mT STEP TO 1% IN <1.0 sec

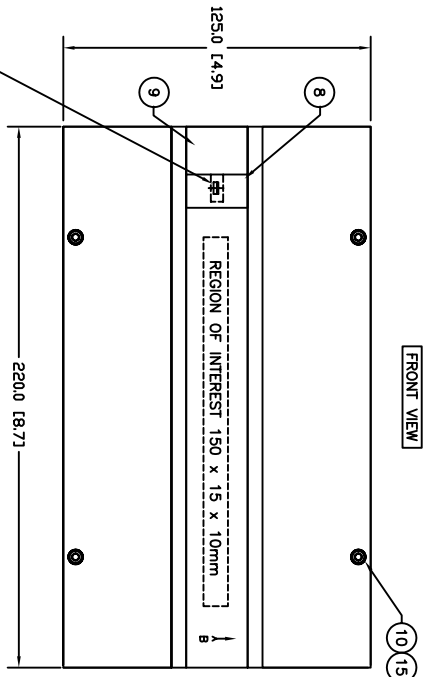
COIL
 RESISTANCE (20° C) 2.7 ohm
 RESISTANCE (Hot) 3.0 ohm
 MAX POWER: 2.7A/8.1V (22W)
 CONNECTION: CONNECTION
 MASS: 7 kg (25 lbs)



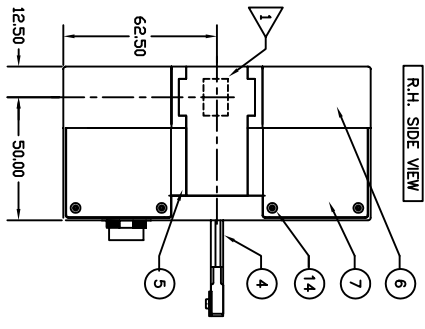
TOP VIEW



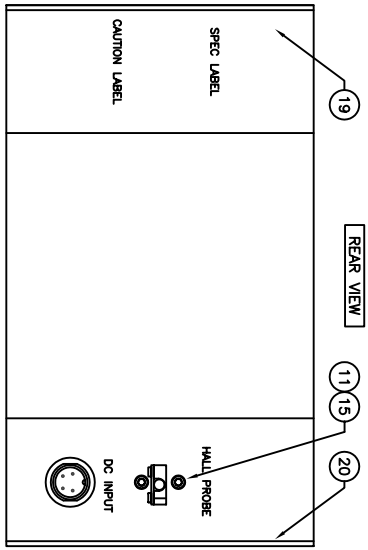
L.H. SIDE VIEW



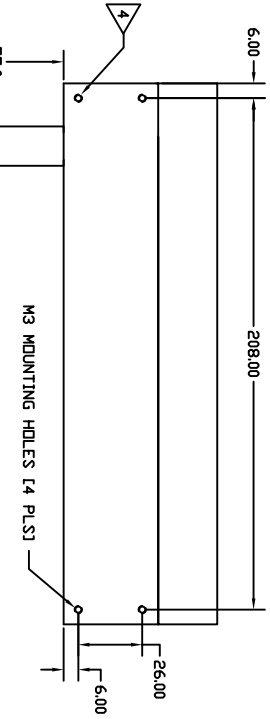
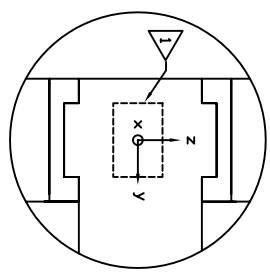
FRONT VIEW



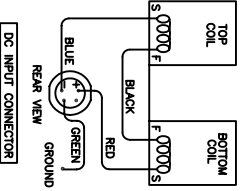
R.H. SIDE VIEW



REAR VIEW



BOTTOM VIEW



DC INPUT CONNECTOR

NOTE:

- 1 REGION OF INTEREST 150 x 15 x 10mm LOCATED 12.5mm DOWN FROM TOP POLE SURFACE
- 2 TOP VIEW OF MAGNET WITH COVER ITEM 6 REMOVED
- 3 R.H. SIDE VIEW OF MAGNET WITH COVER ITEM 7 REMOVED
- 4 M3 MOUNTING HARDWARE [4 x ITEM 11, 4 x ITEM 15, 4 x ITEM 16] NOT SHOWN ON DRAWING
- 5 SEE DRAWING NO. 11901820 FOR MAGNET WIRING DETAILS.

ITEM	QTY	PART NUMBER	DESCRIPTION	NOTE
20	1	109000640	LABEL, INPUT/HALL PROBE	
19	1	109000630	LABEL, SPECIFICATION/CAUTION	
18	1	13100004-100-2	CONNECTOR, 4 PIN AMPHENOL C091 SERIES	
17	1	1SBN6	BALL PLUNGER, VIER	
16	5	DIN 433	WASHER, FLAT M3 x 6 x 0.5	
15	15	BN 792	WASHER, RIBBED LOCK SPRING/STEEL	
14	16	DIN 7991	SFSH, M3 x 6 S/S	
13	3	R-AMN-3-25	SFSH, M3 x 25 NYLON	
12	5	DIN 912	SFSH, M3 x 12 S/S	
11	8	DIN 912	SFSH, M3 x 16 S/S	
10	4	DIN 912	SFSH, M3 x 20 S/S	
9	1	17904720	PROBE GUIDE, OUTER	
8	1	17904710	PROBE GUIDE, INNER	
7	4	17904690	COVER, YOKE	
6	2	17904670	COVER, COIL	
5	2	17904670	COVER, CAP	
4	1	11901810	HALL PROBE ASSEMBLY	
3	1	11901800	POLE/COIL ASSEMBLY, TOP	
2	1	11901790	POLE/COIL ASSEMBLY, BOTTOM	
1	1	17904650	YOKE	

REV	DATE	SCALE	BY	CHKD	APP'D
A	07/21/13	1:1			

DO NOT SCALE FROM DRAWING (unless otherwise specified)
 FROM DRAWING (unless otherwise specified)
 DATE: 07/21/13
 ENGINEERING: [Signature]
 DESIGNER: [Signature]
 CHECKER: [Signature]
 DRAWING NO. A111901780
 MODEL: 5301
 SCALE: 1:1
 SHEET 1 OF 1

