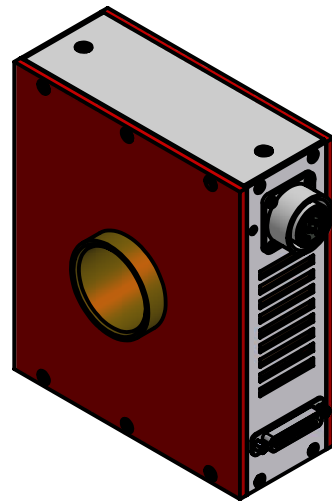


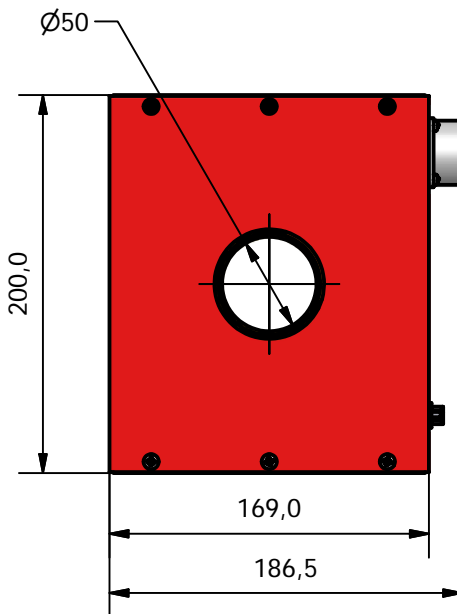
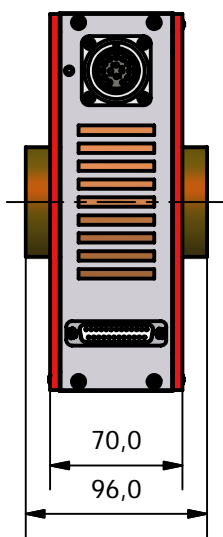
A B C D E F G H I J

1



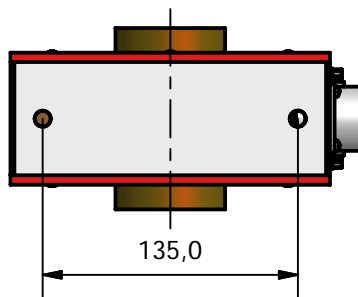
2

3




4

5



6

IMPORTANT!
This document contains information which is the property of Danfysik A/S, Denmark. It is submitted to you in confidence that it will not be disclosed or transmitted to others without Danfysik's authorization.

TOLERANCE: N.A.	SURFACE TREATMENT (RoHS compliant):		MATERIAL:	
SCALE: 1:4	MACHINING:		DRAWN BY SFH	
STH 2000 - DCCT Dimensions Ultrastab Saturn			DESIGN APP. Autodesk Inventor 9	
			PROD. APP.	
			PROJ. ENGR.	
			DWG. NO.:	
			89403	
 CUSTOMER: Customer		PROJECT NO.:	REVISION:	SHEET 1 of 1
FILE: 89403.idw			DATE: 28-07-2006	SIZE: A4

7

8



A B C D E F G H I J