

dB-COMP

0.001-dB RF Comparator



Shown on picture: Two 4-input RF Power Comparator in one chassis

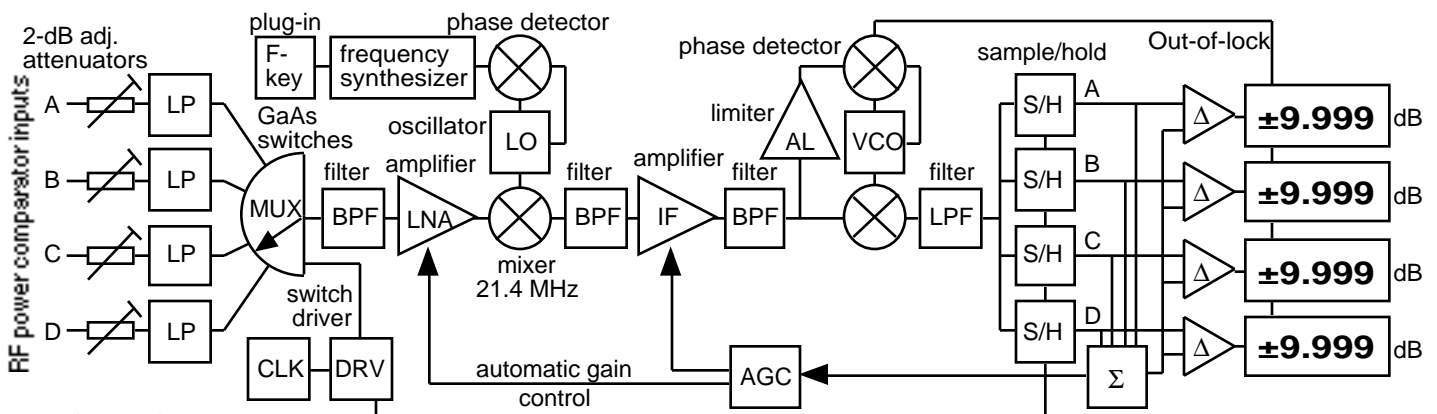
- To balance cable's attenuation
- To map BPM pickups
- To compare pickup signal against reference signal

The RF-Comparator resolves
0.001 dB signal power
differences between 2 or 4
inputs

Input power range -85 dBm
to +5 dBm

Operates at any preset
frequency in the range 10
MHz to 900 MHz

Block Diagram



Ordering information

RF-COMP-xxxMHz/xx
RF power comparator at frequency
xxxMHz, with xx inputs

Packaging In 19" chassis by 3U high
One chassis may contain up to 2
4-input RF power comparators

Distributors

U.S.A. : GMW Associates
955 Industrial Rd.
San Carlos, CA 94070, U.S.A.
Fax: (650) 802-8298 - Tel.: (650) 802-8292
sales@gmw.com

Japan : REPIC Corporation
28-3 Kita Otsuka 1-Chome
Toshima-ku, Tokyo 170-0004, Japan
Fax: 03-3918-5712 - Tel.: 03-3918-5326
sales@repic.co.jp

Manufacturer

BERGOZ Instrumentation
Espace Allondon Ouest
01630 Saint Genis Pouilly, France
Fax: +33-450.426.643 - Tel.: +33-450.426.642
sales@bergoz.com



Instrumentation