

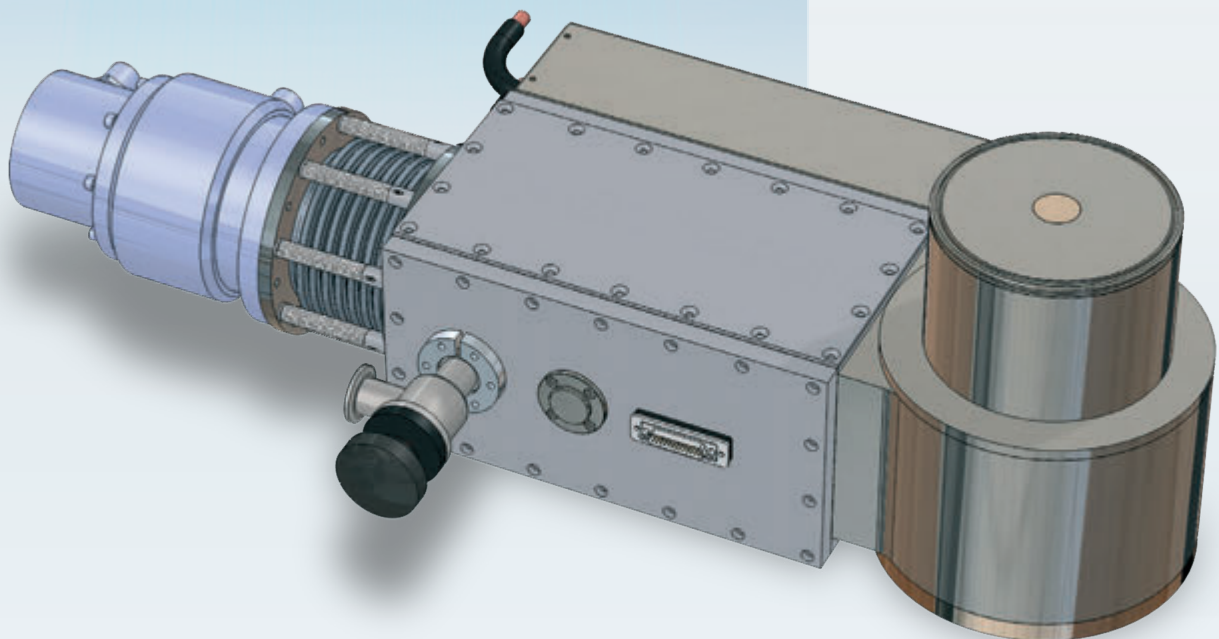
- Compact
- Cryogen free
- Fast ramping
- Excellent sample access
- Low vibration
- Sample isolated from magnet vibration

## APPLICATIONS

- Magnetic probing systems
- Scanning Probe Microscope (SPM)
- Scanning Tunnelling microscope (STM)
- Atomic Force Microscope (AFM)
- Magnetic Force Microscope (MFM)
- Magneto-optic measurement
- Hall effect measurement

## OPTIONS

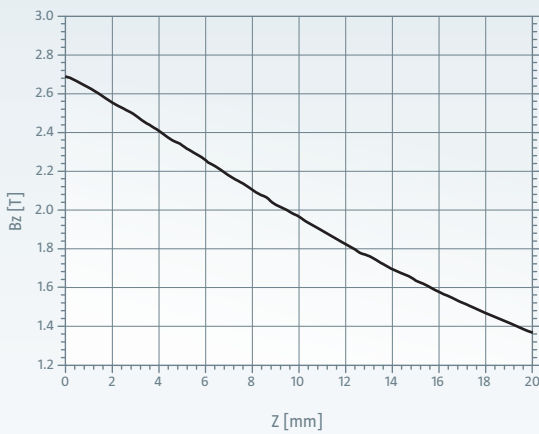
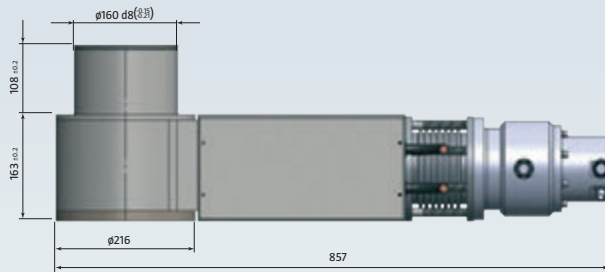
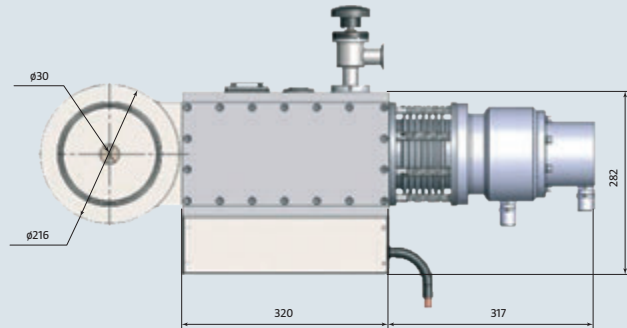
- External pole to refocus magnetic field in sample environment shielding



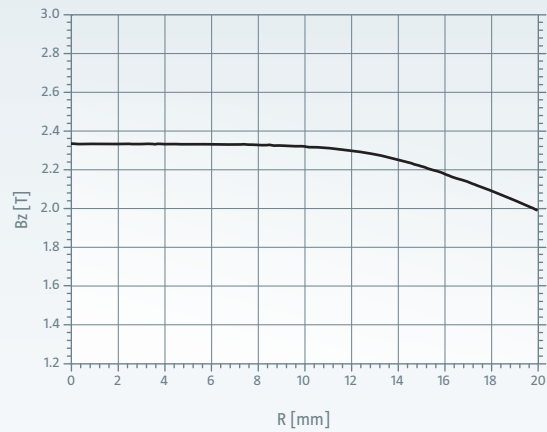
## SPECIFICATIONS

Peak field (at 1mm above the top surface) (T)	2.6
Peak field (at 5mm above the top surface) (T)	2.3
Field homogeneity at 5mm above the top surface over $\varnothing 10\text{mm}$ area	0.5%
Maximum current (A)	200
Ramping time (min)	1
Cool-down time (hour)	20
Weight (kg)	55

## DIMENSIONS



Field profile above the top surface in the axial direction



Field profile at 5mm above the top surface in the radial direction

hts-110.com

SCOTT™

### HTS-110

Gracefield Research Centre  
69 Gracefield Road  
Lower Hutt 5010  
New Zealand

t +64 4 570 5660  
e info@hts-110.com



### LinkedIn:

[nz.linkedin.com/company/hts-110](https://nz.linkedin.com/company/hts-110)

Distributed in North America by  
GMW Associates  
955 Industrial Road  
San Carlos, CA 94070, USA

t +650 802 8292  
w gmw.com

